

TEMPEST

giant heavy-duty commercial umbrella

Premium
Wind Rated
Commercial
Umbrella

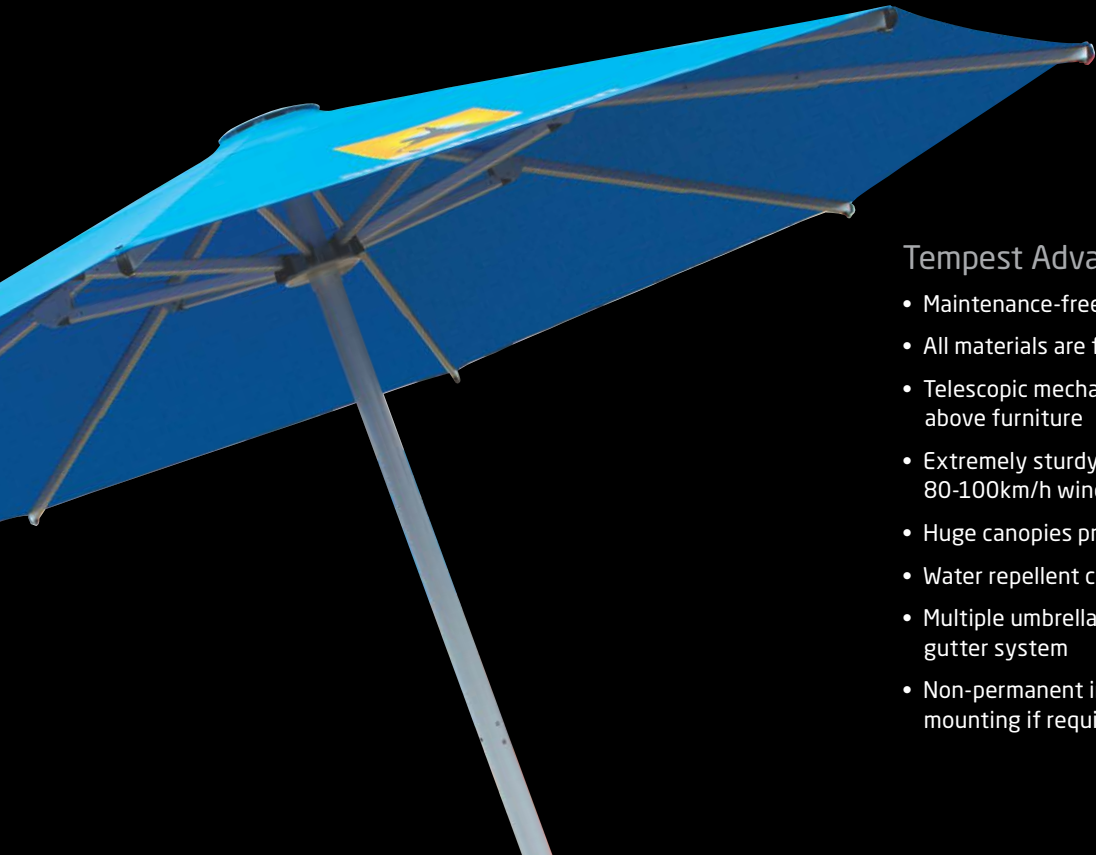
SHADE7
next generation shade



The Tempest offers maximum shade and weather protection for commercial environments

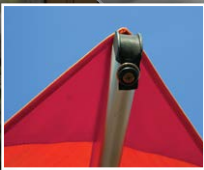


This heavy-duty giant telescopic umbrella is built super-strong and is engineered to withstand wind gusts of 80-100km/h while open. The canopy arms are made from reinforced aluminium that is connected to an impressive 94mm mast with internal reinforcing channels for extra strength. The Tempest is quite simply the best non-permanent umbrella on the market today.

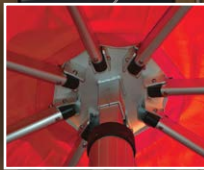


Tempest Advantages

- Maintenance-free, long-life winding handle system
- All materials are fully corrosion resistant
- Telescopic mechanism opens and closes easily above furniture
- Extremely sturdy and robust - able to withstand 80-100km/h wind gusts
- Huge canopies provide maximum shade protection
- Water repellent canopy also offers rain protection
- Multiple umbrellas can be joined with removable gutter system
- Non-permanent installation - can be removed from mounting if required



Canopy secured with stainless steel bolts for durability



Robust telescopic mast means the umbrella closes high above furniture



Can be bolted down to existing concrete, wooden decking or concreted into the ground



Heavy duty hubs and arm connectors for superior strength



Extremely strong aluminium arms with joint reinforcements



Internal gearbox hidden in mast with removable winder handle

Canopy - Tempest umbrella canopies can be made using either acrylic canvas or commercial grade PVC:

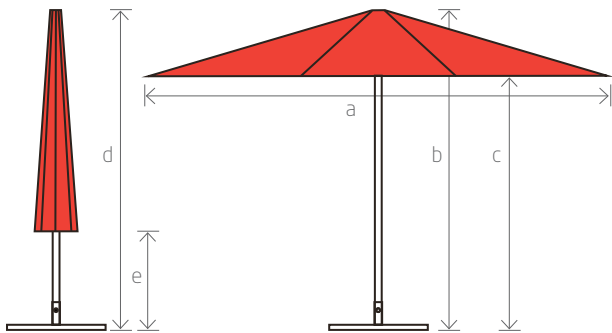
European Made 100% Solution-Dyed Acrylic Canvas

This premium marine-grade fabric comes with a 5 year warranty and has the best available colour fastness rating of 7-8 out of 8. It also has the highest UPF 50+/SPF100 rating, cutting out the maximum amount of harmful UV light for excellent sun protection.

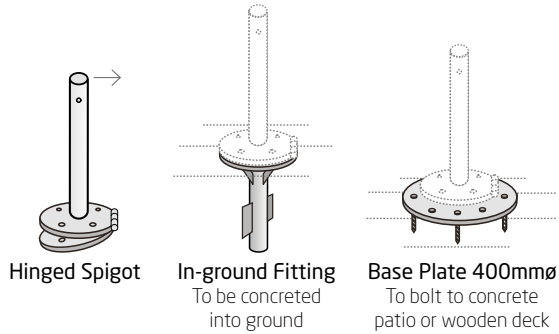
Commercial Grade PVC

Our PVC canopies are made with 720gsm/1000 denier PVC with a 0.6mm thickness. These are ideal for commercial or windy locations where extra durability is required. Our PVC canopies are waterproof and come with a 3 year warranty.

Printing & Branding - The Tempest commercial umbrella can be screen printed easily and affordably with big logos for maximum brand exposure. Our design team will prepare a draft print layout for your approval so you can see exactly how the printed umbrella will look once production is completed.



Installation Options



Dimensions

* all measurements are rounded and are subject to change.

	3m Square	3.5m Square	4m Square	5m Square	5m Octagonal
Dimensions of open umbrella					
a: Width (cm)	300 x 300	350 x 350	400 x 400	500 x 500	*500ø
b: Height (cm)	285	295	305	330	305
c: Canopy edge height (cm)	230	230	230	230	230
Canopy shade area (m2)	9	12.2	16	25	17.5

* measured from point to point

Dimensions of closed umbrella

d: Height (cm)	400	410	420	455	420
e: Closed canopy clearance (cm)	185	160	130	95	165

Weight & packaging dimensions

Package dimensions (inc post) (cm)	418 x 46 x 46	435 x 46 x 46	435 x 46 x 46	460 x 46 x 46	435 x 46 x 46
Umbrella (unboxed) (kg)	69	76	78	92	83
Weight (boxed umbrella with spigot) (kg)	80	90	92	110	97

Standard Acrylic Colours

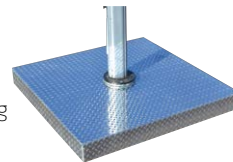


Further colours available on request.

* Fabric colours may vary slightly from printed swatches shown

Base Option

Galvanised Moveable Base
110cm square. 280kg with concrete pavers.



Non-Standard Acrylic Colours



PVC Colours

